

ARMRESTS



IATF 16949



AS 9100



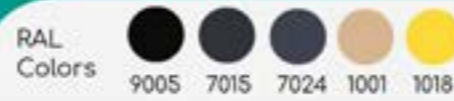
etka-d
mould & plastic
"together to the future"

Armrests



Part Code : E101
 Part Definition : Damla Group Armrest
 Material : Reinforced Plastic

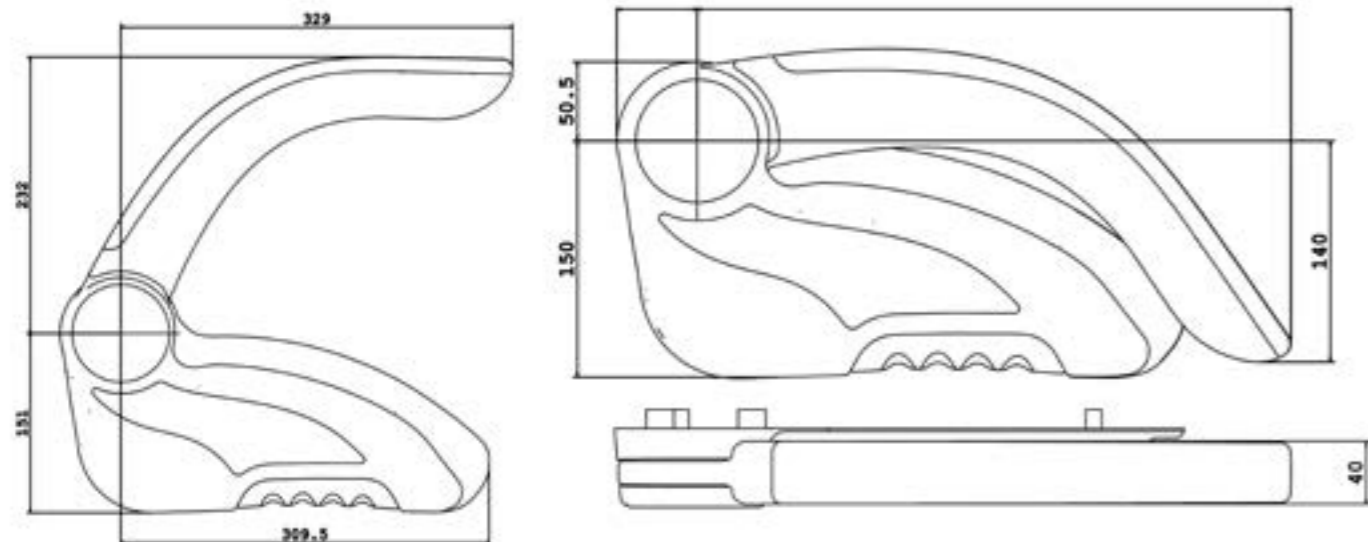
Standart Colors



Options

- The parts can be produced according to ECE R118, EN 45545 or FMSS 302
- The parts can be produced according to defined color options

Dimensions



Color Options



Armrests



Part Code : E107
 Part Definition : Pelikan 1 Group Armrest
 Material : Reinforced Plastic

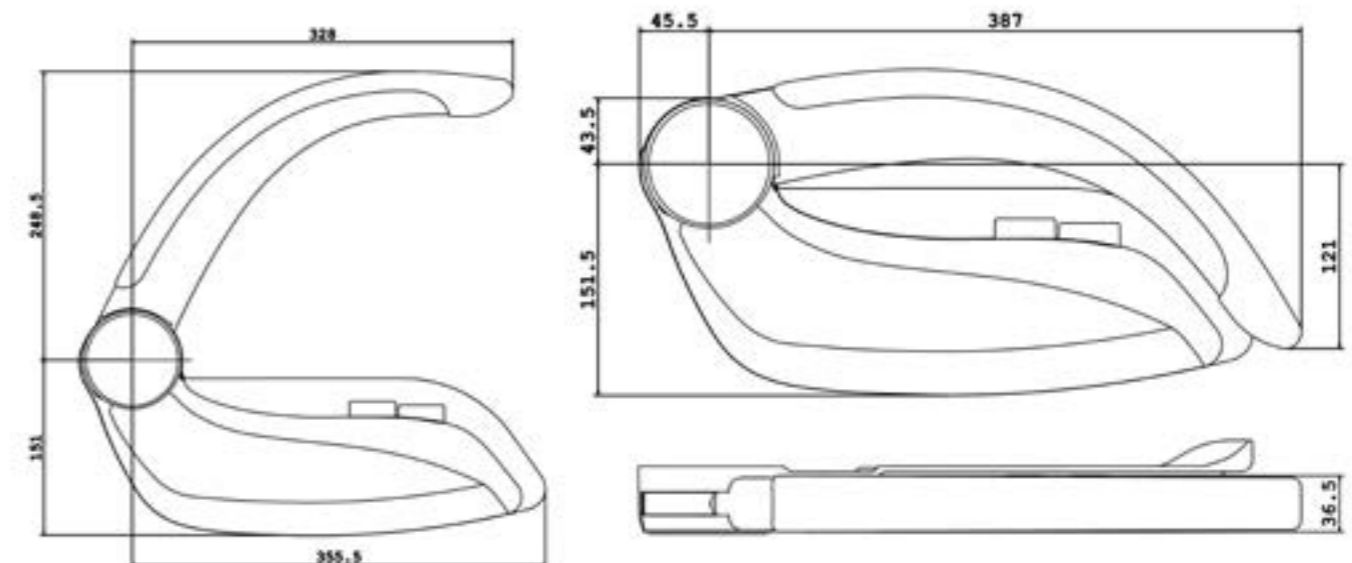
Standart Colors



Options

- The parts can be produced according to ECE R118, EN 45545 or FMSS 302
- The parts can be produced according to defined color options

Dimensions



Color Options



Armrests



Part Code : E104
 Part Definition : Coach Group Armrest
 Material : Reinforced Plastic

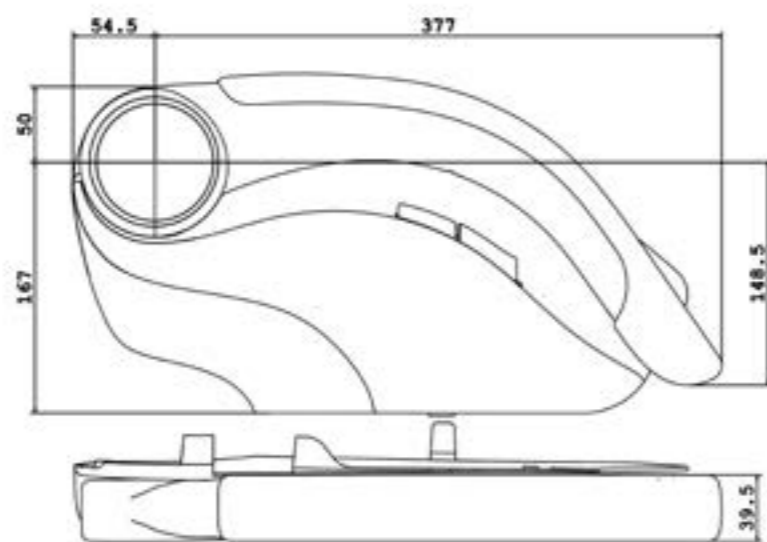
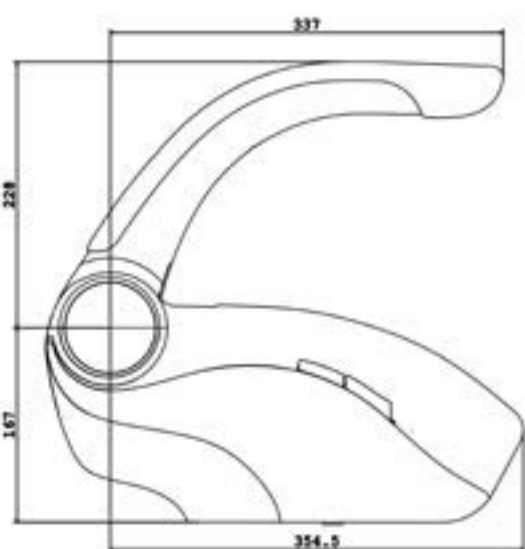
Standart Colors



Options

- The parts can be produced according to ECE R118, EN 45545 or FMSS 302
- The parts can be produced according to defined color options

Dimensions



Color Options



Armrests



Part Code : E901
 Part Definition : Coach & Hybrid Armrest
 Material : Reinforced Plastic

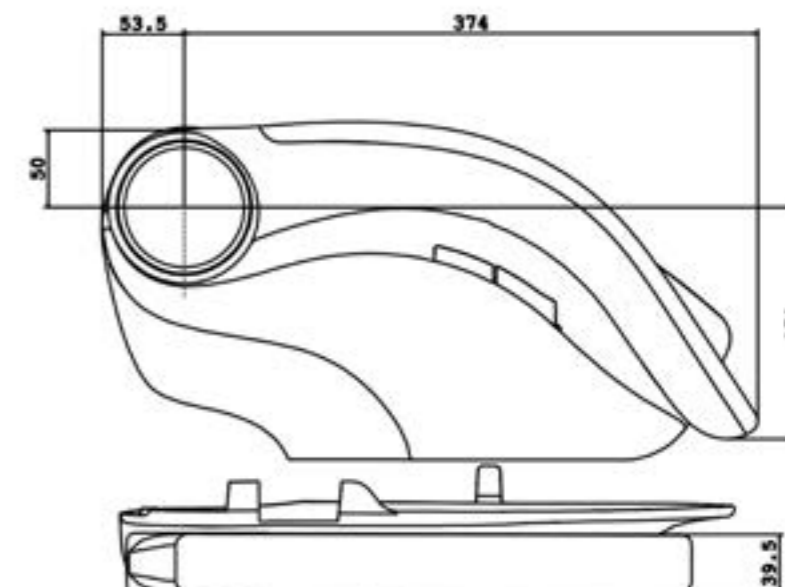
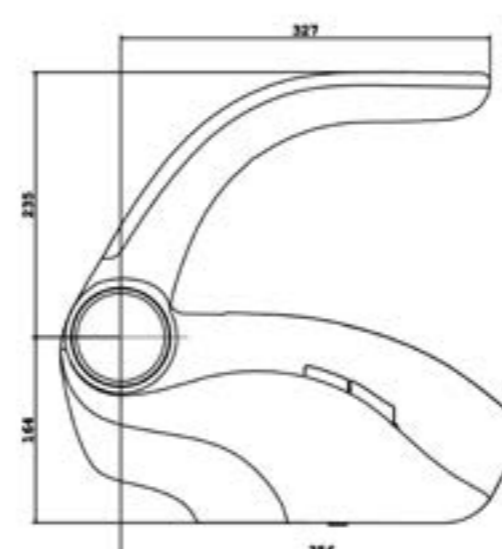
Standart Colors



Options

- The parts can be produced according to ECE R118, EN 45545 or FMSS 302
- The parts can be produced according to defined color options

Dimensions



Color Options

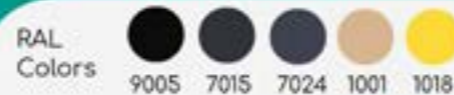


Armrests



Part Code : E902
 Part Definition : Coach & Pelikan 2 Armrest
 Material : Reinforced Plastic

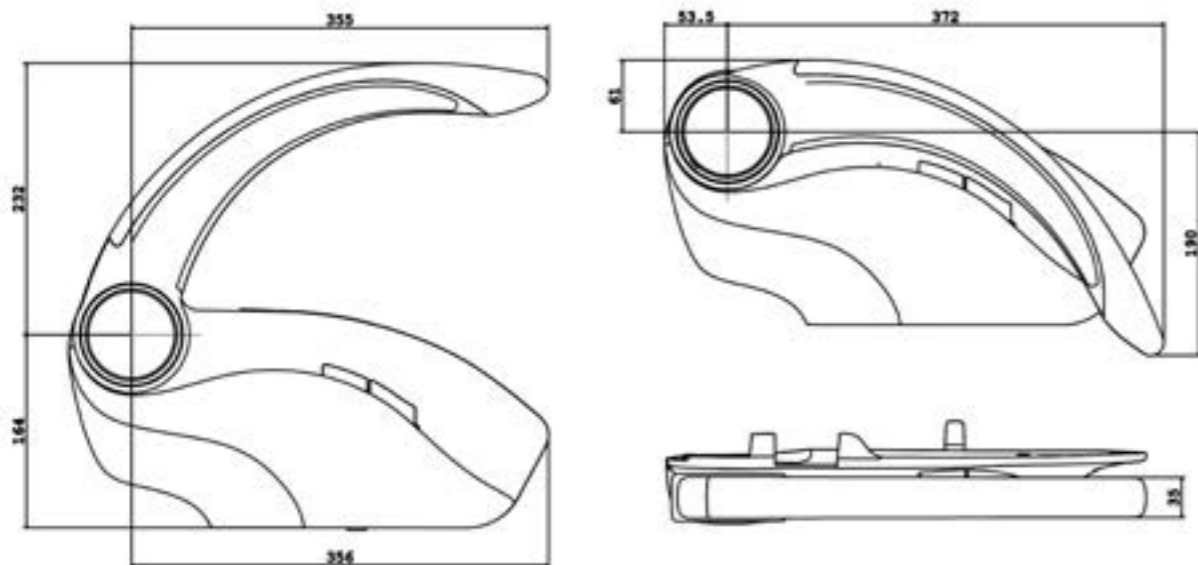
Standart Colors



Options

- The parts can be produced according to ECE R118, EN 45545 or FMSS 302
- The parts can be produced according to defined color options

Dimensions



Color Options



Armrests



Part Code : E903
 Part Definition : Coach & Nexus Armrest
 Material : Reinforced Plastic

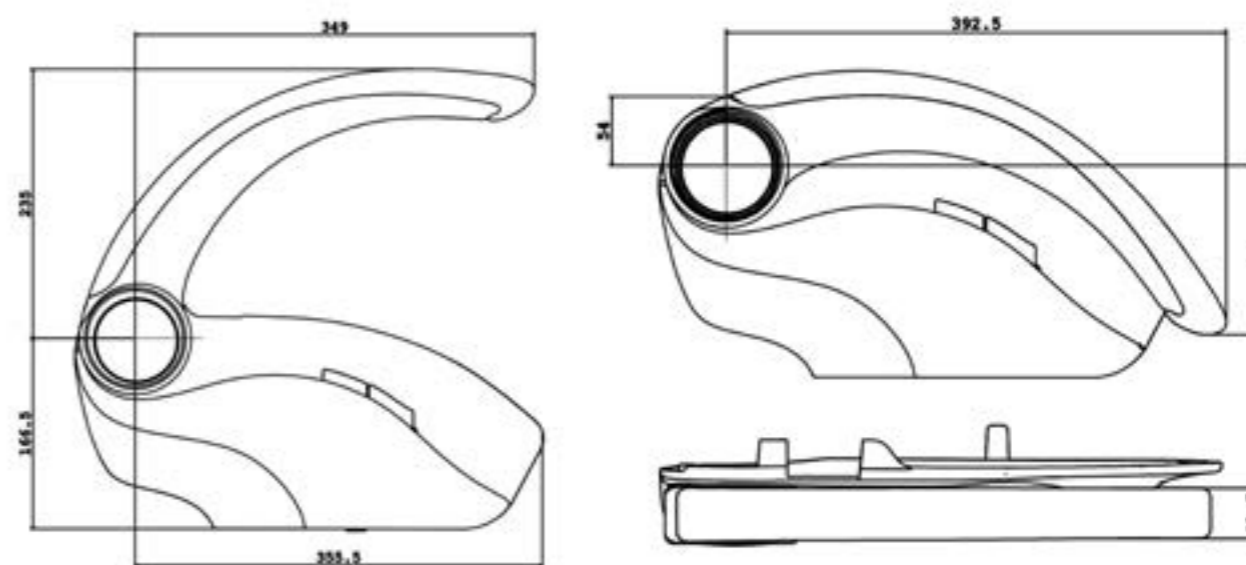
Standart Colors



Options

- The parts can be produced according to ECE R118, EN 45545 or FMSS 302
- The parts can be produced according to defined color options

Dimensions



Color Options



Armrests



Part Code : E904
 Part Definition : Hybrid Group Armrest
 Material : Reinforced Plastic

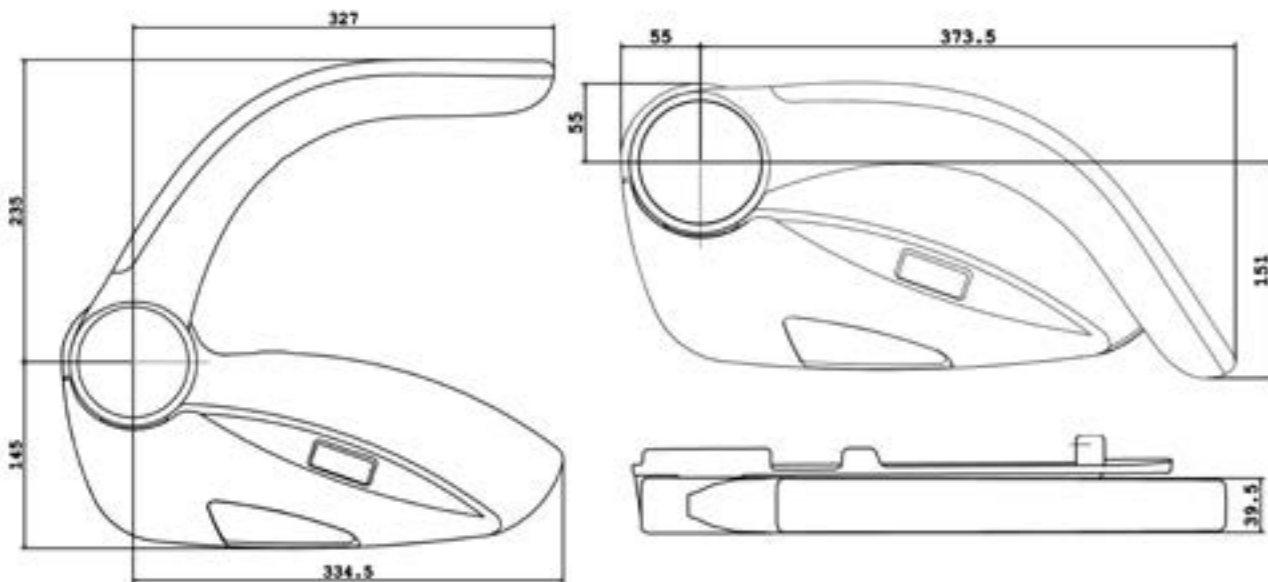
Standart Colors



Options

- The parts can be produced according to ECE R118, EN 45545 or FMSS 302
- The parts can be produced according to defined color options

Dimensions



Color Options



Armrests



Part Code : E905
 Part Definition : Hybrid & Tracus Armrest
 Material : Reinforced Plastic

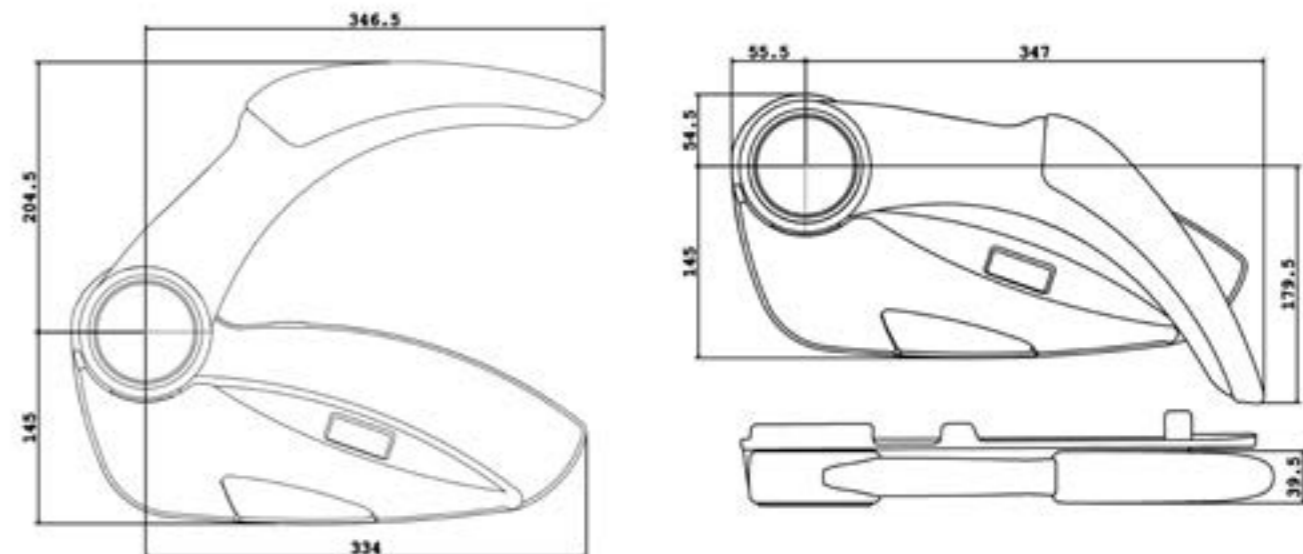
Standart Colors



Options

- The parts can be produced according to ECE R118, EN 45545 or FMSS 302
- The parts can be produced according to defined color options

Dimensions



Color Options



Armrests



Part Code : E906
 Part Definition : Hybrid & Coach Armrest
 Material : Reinforced Plastic

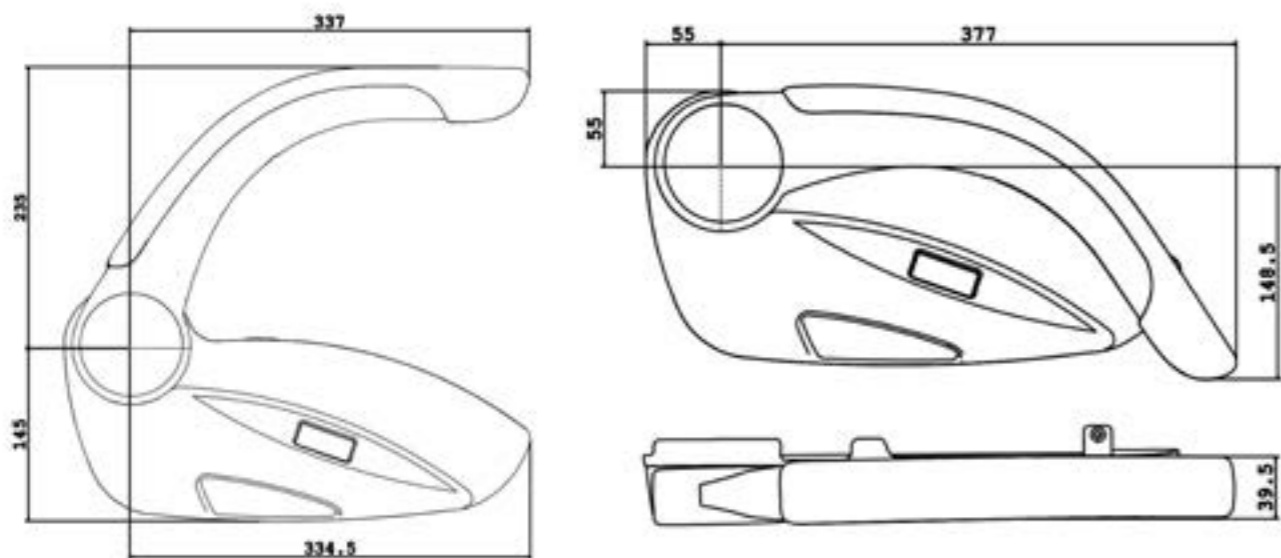
Standart Colors



Options

- The parts can be produced according to ECE R118, EN 45545 or FMSS 302
- The parts can be produced according to defined color options

Dimensions



Color Options



Armrests



Part Code : E907
 Part Definition : Hybrid & Pelikan 2 Armrest
 Material : Reinforced Plastic

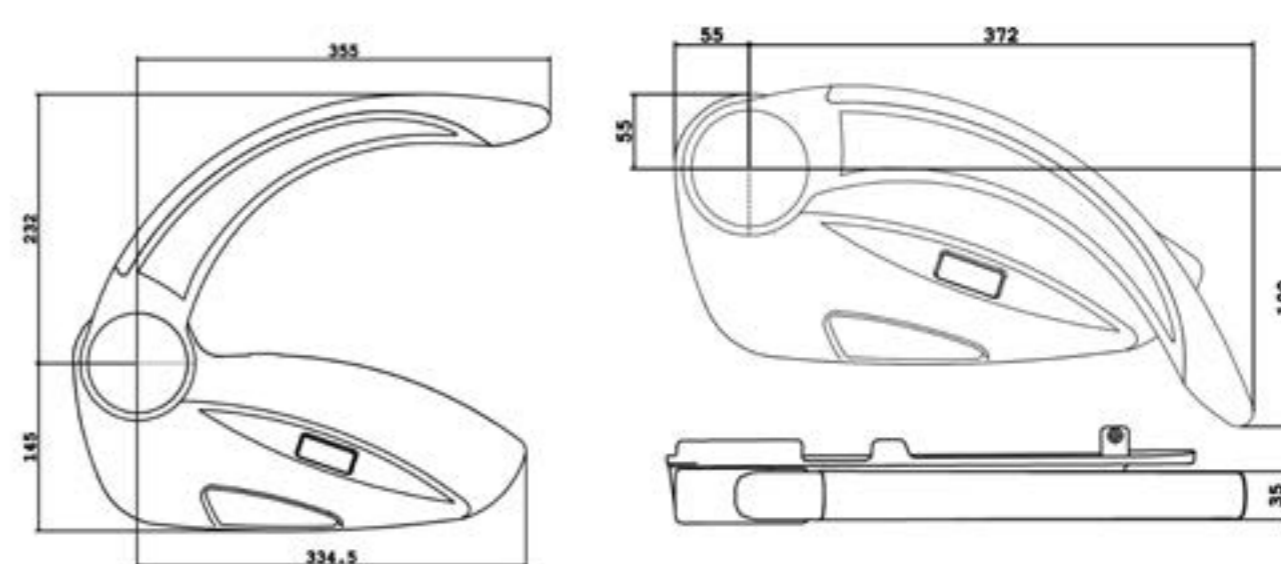
Standart Colors



Options

- The parts can be produced according to ECE R118, EN 45545 or FMSS 302
- The parts can be produced according to defined color options

Dimensions



Color Options

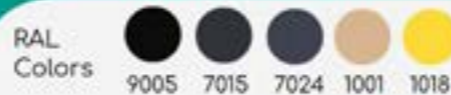


Armrests



Part Code : E908
 Part Definition : Hybrid & Nexus Armrest
 Material : Reinforced Plastic

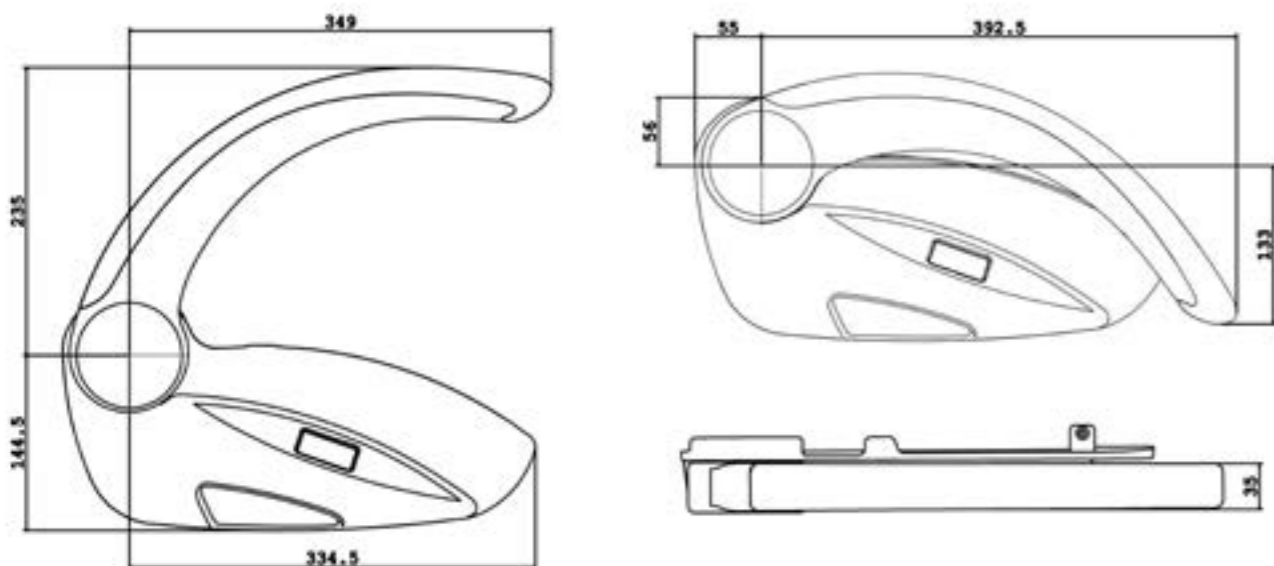
Standart Colors



Options

- The parts can be produced according to ECE R118, EN 45545 or FMSS 302
- The parts can be produced according to defined color options

Dimensions



Color Options



Armrests



Part Code : E009
 Part Definition : Pelikan 2 Group Armrest
 Material : Reinforced Plastic

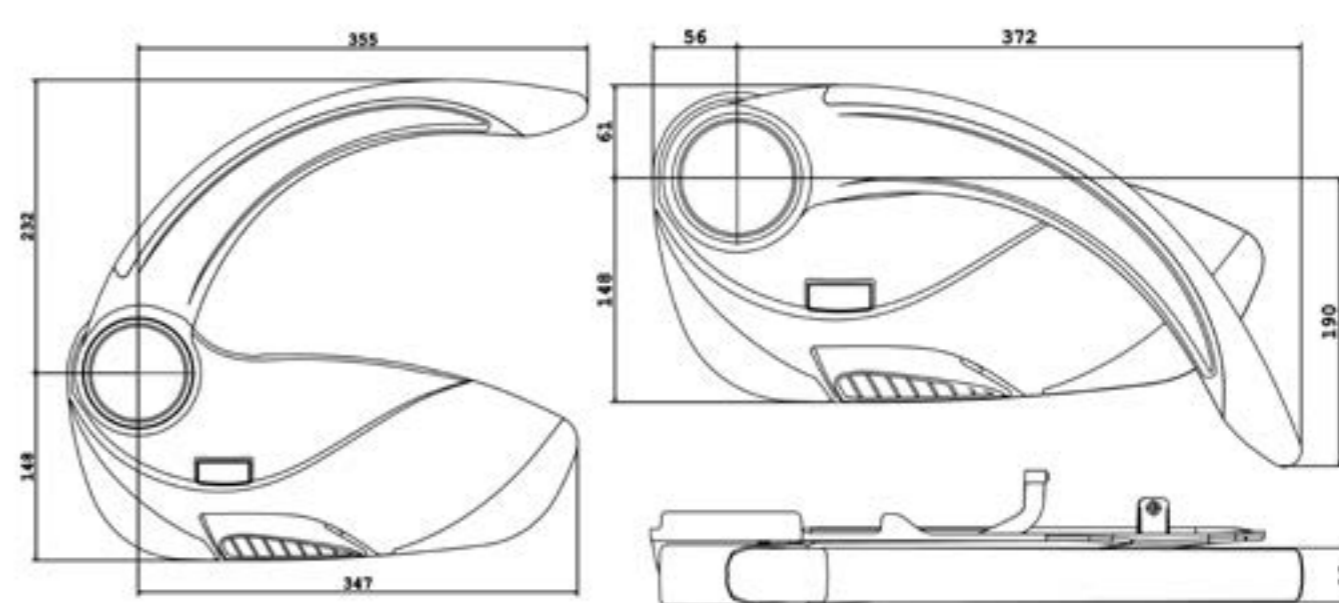
Standart Colors



Options

- The parts can be produced according to ECE R118, EN 45545 or FMSS 302
- The parts can be produced according to defined color options

Dimensions



Color Options



Armrests



Part Code : E909
 Part Definition : Pelikan 2 & Hybrid Armrest
 Material : Reinforced Plastic

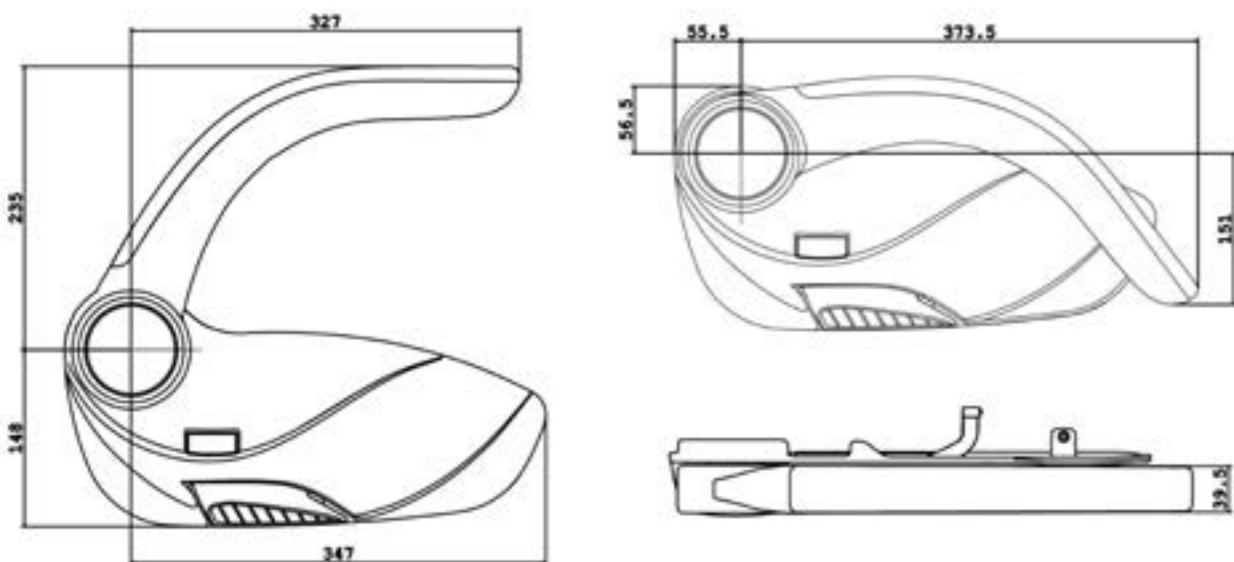
Standart Colors



Options

- The parts can be produced according to ECE R118, EN 45545 or FMSS 302
- The parts can be produced according to defined color options

Dimensions



Color Options



Armrests



Part Code : E910
 Part Definition : Pelikan & Nexus Armrest
 Material : Reinforced Plastic

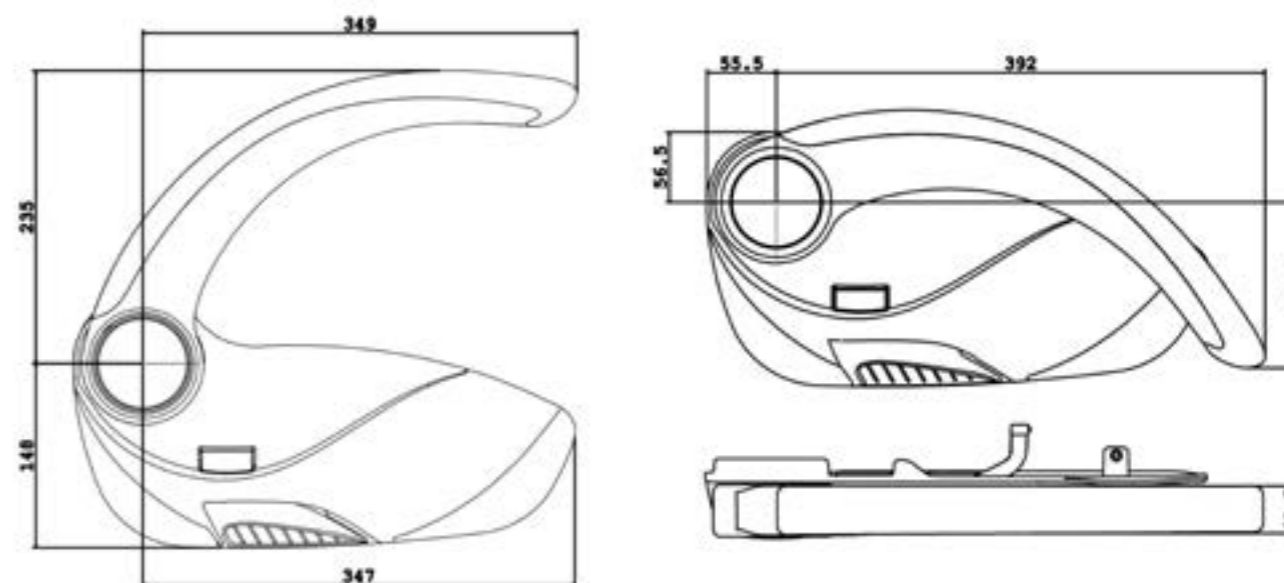
Standart Colors



Options

- The parts can be produced according to ECE R118, EN 45545 or FMSS 302
- The parts can be produced according to defined color options

Dimensions



Color Options



Armrests



Part Code : E911
 Part Definition : Nexus Group Armrest
 Material : Reinforced Plastic

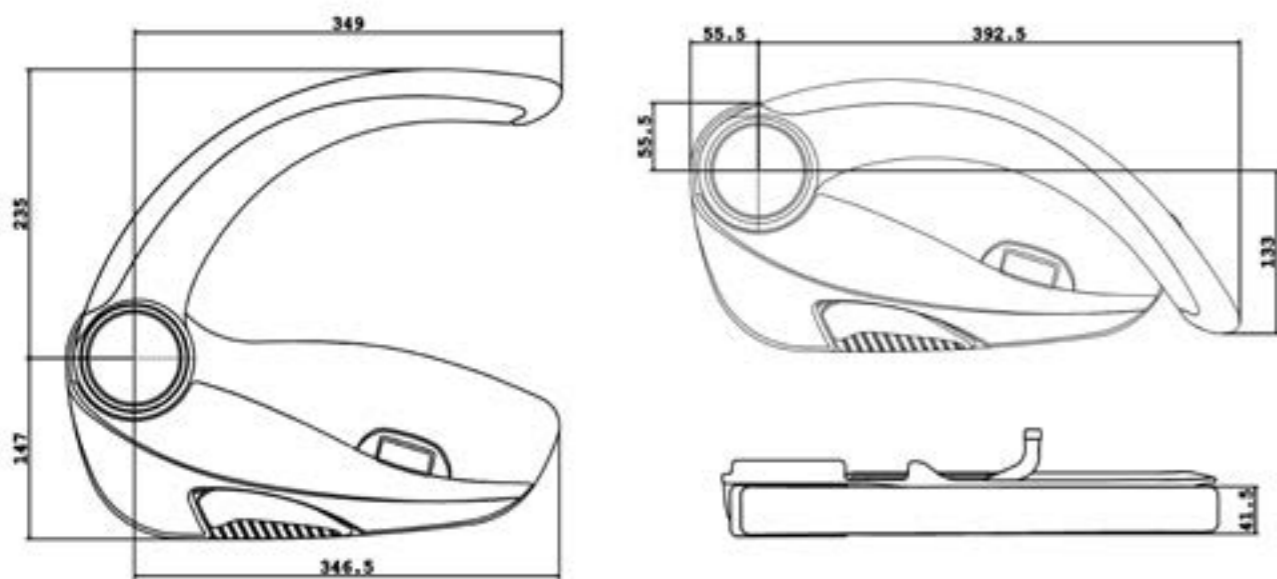
Standart Colors



Options

- The parts can be produced according to ECE R118, EN 45545 or FMSS 302
- The parts can be produced according to defined color options

Dimensions



Color Options



Armrests



Part Code : E912
 Part Definition : Nexus & Hybrid Armrest
 Material : Reinforced Plastic

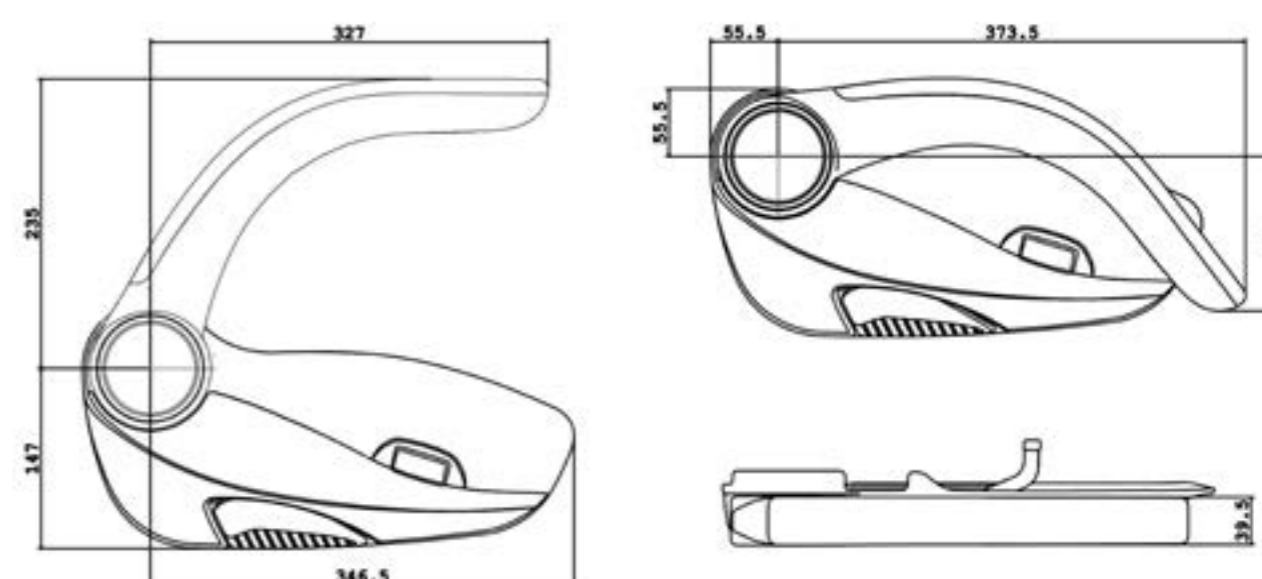
Standart Colors



Options

- The parts can be produced according to ECE R118, EN 45545 or FMSS 302
- The parts can be produced according to defined color options

Dimensions



Color Options



Armrests



Part Code : E305
 Part Definition : Dln & Hybrid Armrest
 Material : Reinforced Plastic

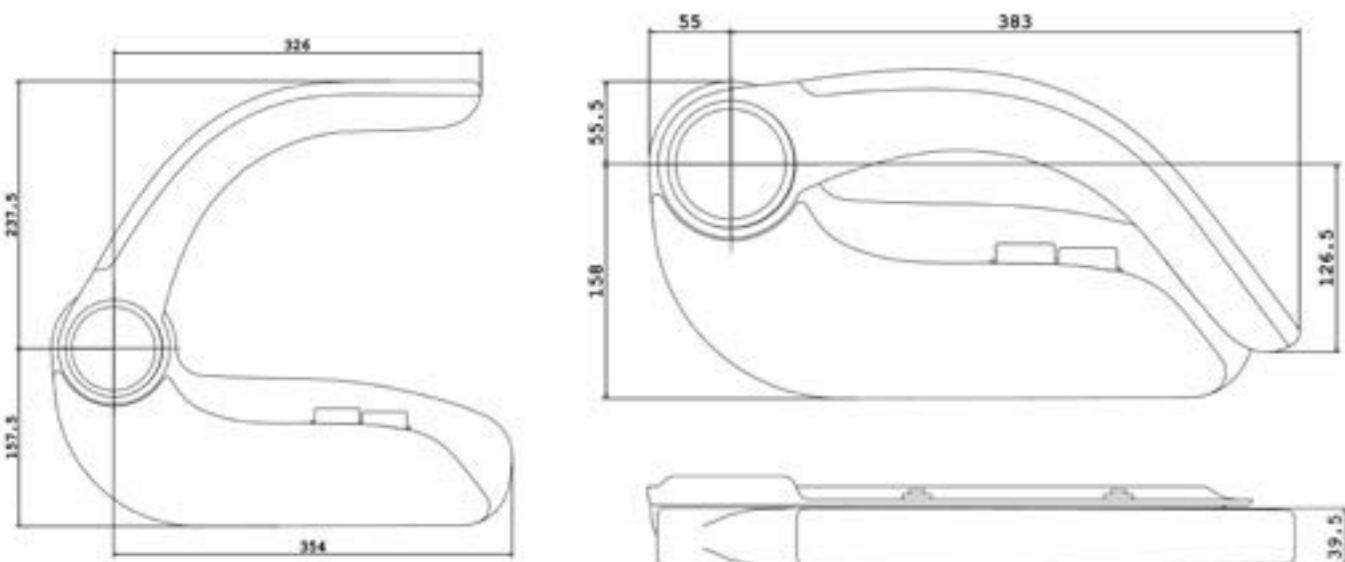
Standart Colors



Options

- The parts can be produced according to ECE R118, EN 45545 or FMSS 302
- The parts can be produced according to defined color options

Dimensions



Color Options



Armrests



Part Code : E913
 Part Definition : Dln & Coach Armrest
 Material : Reinforced Plastic

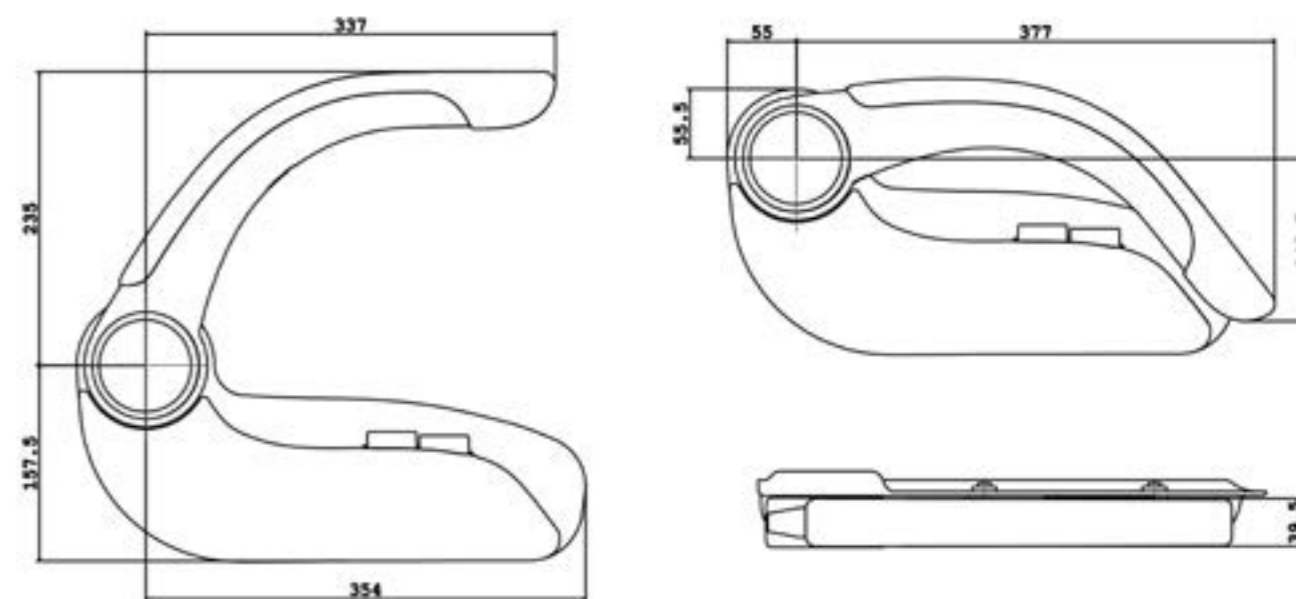
Standart Colors



Options

- The parts can be produced according to ECE R118, EN 45545 or FMSS 302
- The parts can be produced according to defined color options

Dimensions



Color Options



Armrests



Part Code : E914
 Part Definition : Dln & Nexus Armrest
 Material : Reinforced Plastic

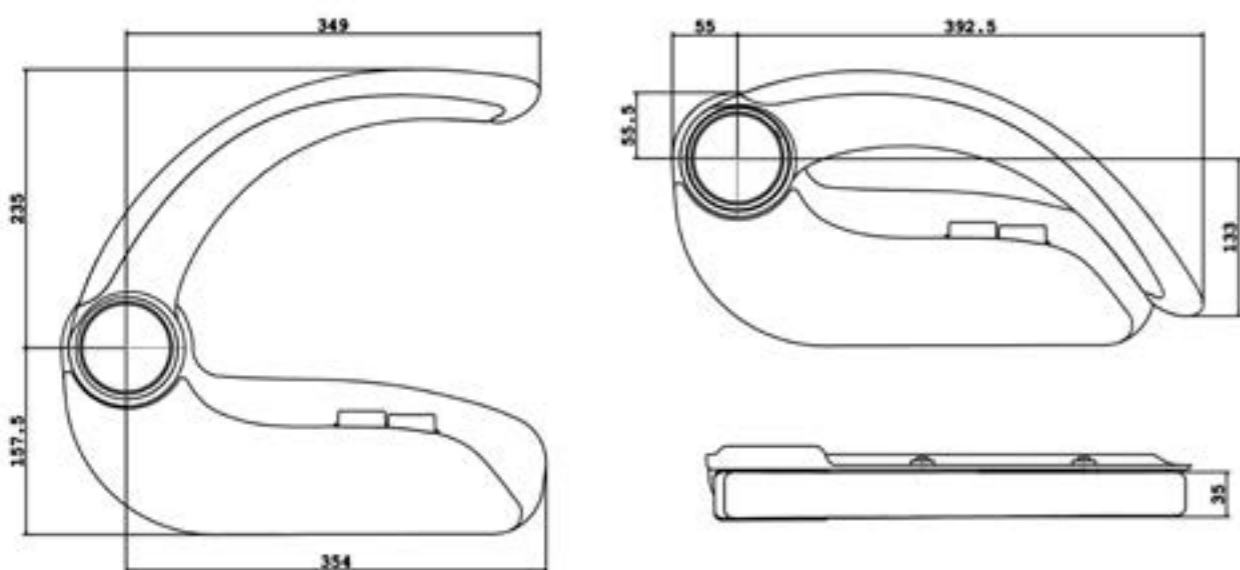
Standart Colors



Options

- The parts can be produced according to ECE R118, EN 45545 or FMSS 302
- The parts can be produced according to defined color options

Dimensions



Color Options



Armrests



Part Code : E915
 Part Definition : Tayar & Nexus Armrest
 Material : Reinforced Plastic

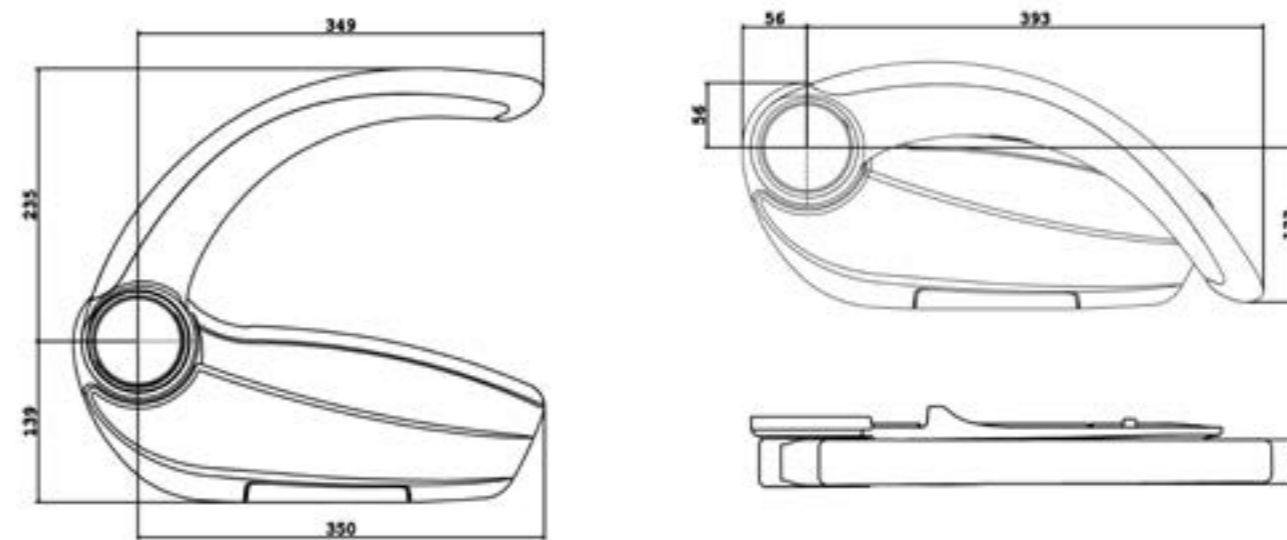
Standart Colors



Options

- The parts can be produced according to ECE R118, EN 45545 or FMSS 302
- The parts can be produced according to defined color options

Dimensions



Color Options

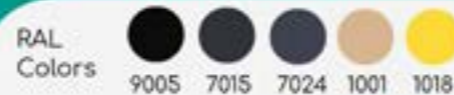


Armrests



Part Code : E916
 Part Definition : Yeezy & Coach Armrest
 Material : Reinforced Plastic

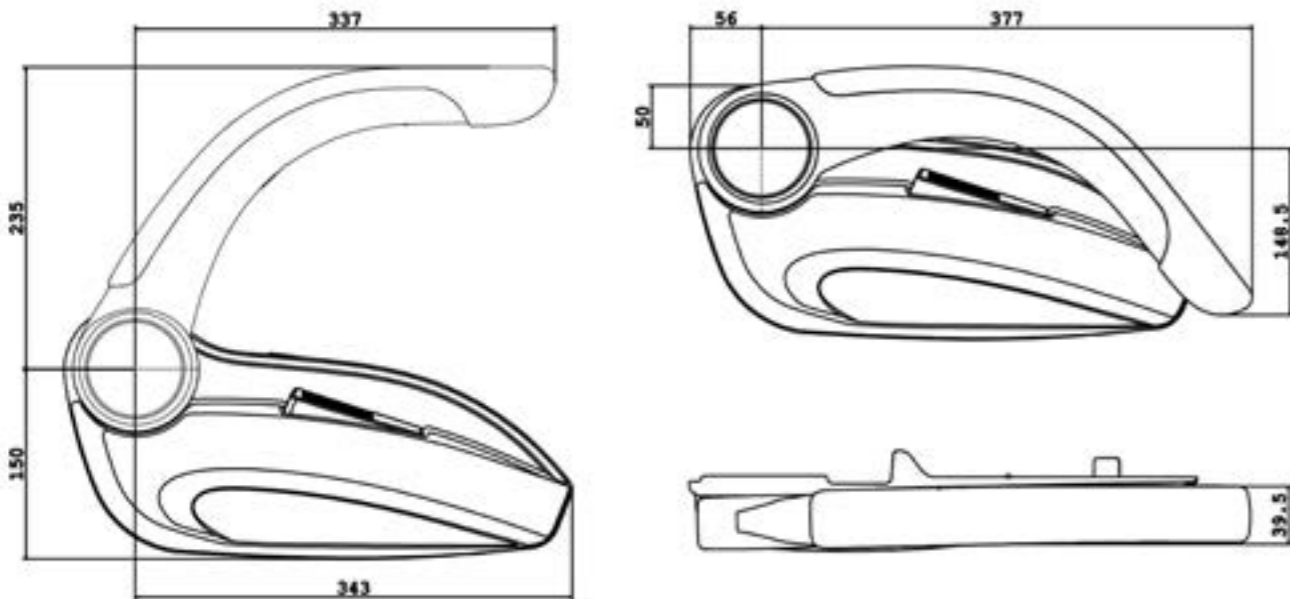
Standart Colors



Options

- The parts can be produced according to ECE R118, EN 45545 or FMSS 302
- The parts can be produced according to defined color options

Dimensions



Color Options



Armrests



Part Code : E917
 Part Definition : Yeezy & Hybrid Armrest
 Material : Reinforced Plastic

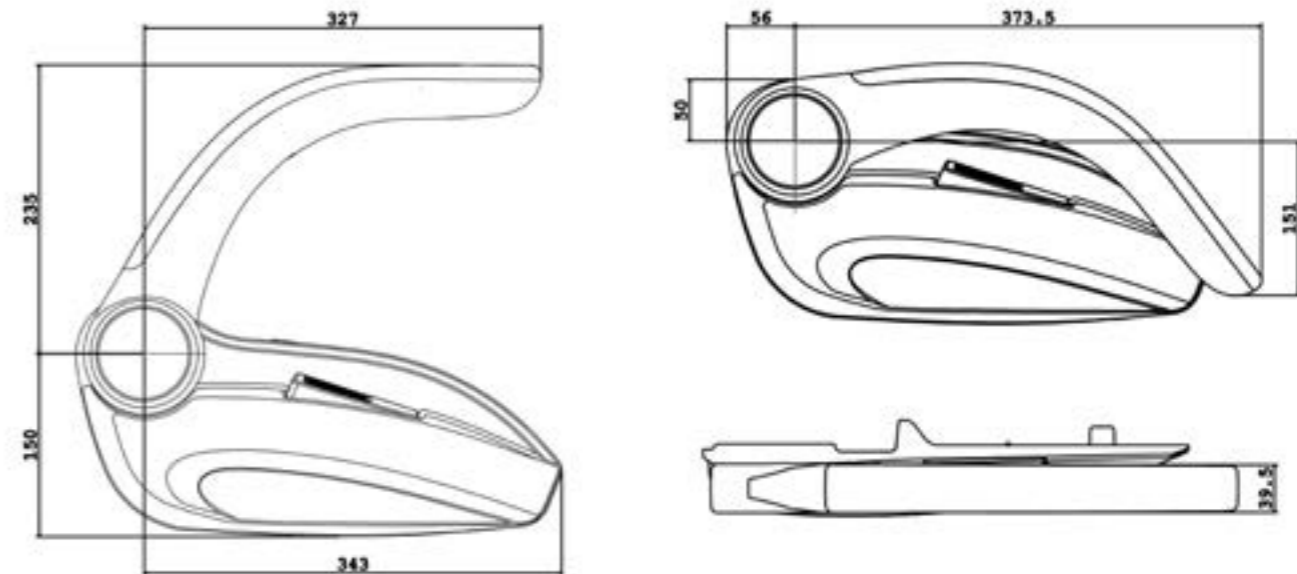
Standart Colors



Options

- The parts can be produced according to ECE R118, EN 45545 or FMSS 302
- The parts can be produced according to defined color options

Dimensions



Color Options



Armrests



Part Code : E918
 Part Definition : Yeezy & Nexus Armrest
 Material : Reinforced Plastic

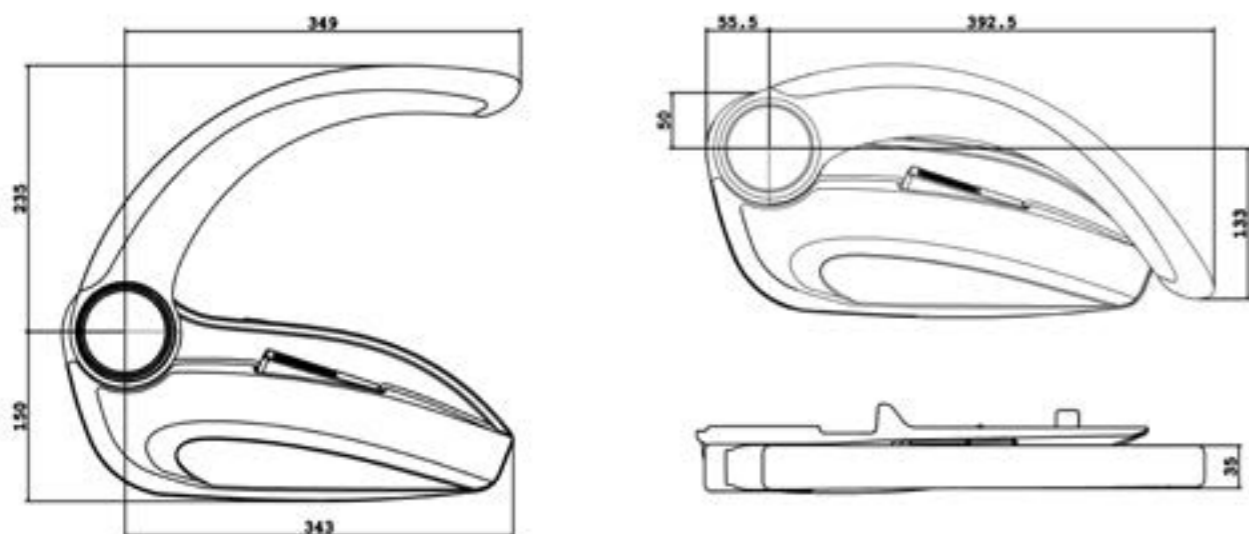
Standart Colors



Options

- The parts can be produced according to ECE R118, EN 45545 or FMSS 302
- The parts can be produced according to defined color options

Dimensions



Color Options



Armrests



Part Code : E919
 Part Definition : Alesta & Coach Armrest
 Material : Reinforced Plastic

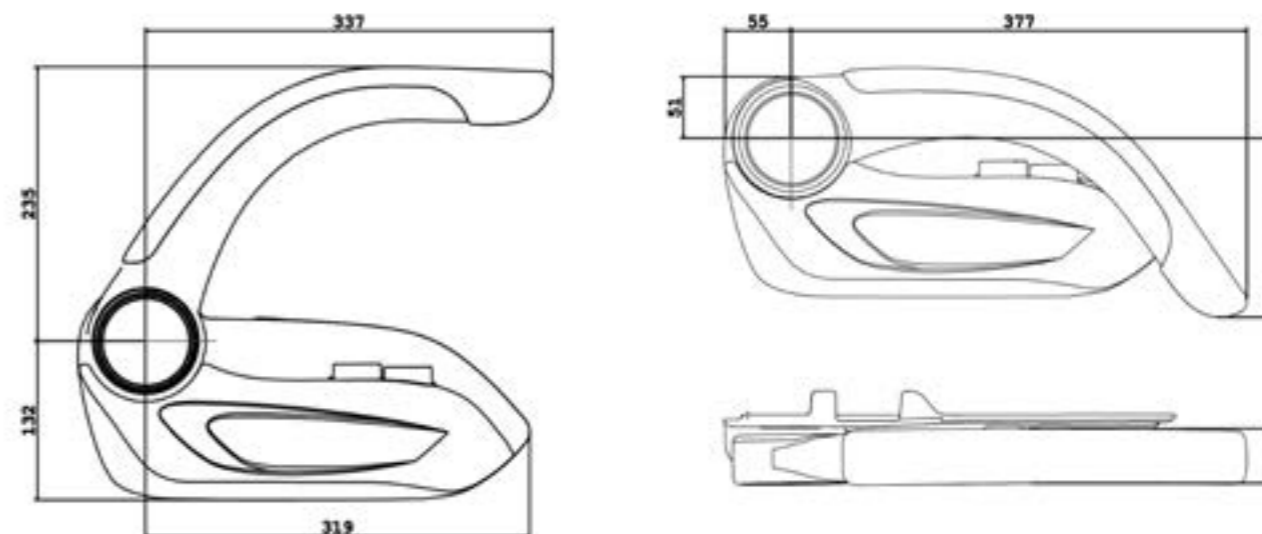
Standart Colors



Options

- The parts can be produced according to ECE R118, EN 45545 or FMSS 302
- The parts can be produced according to defined color options

Dimensions



Color Options



Armrests



Part Code : E920
 Part Definition : Alesta & Hybrid Armrest
 Material : Reinforced Plastic

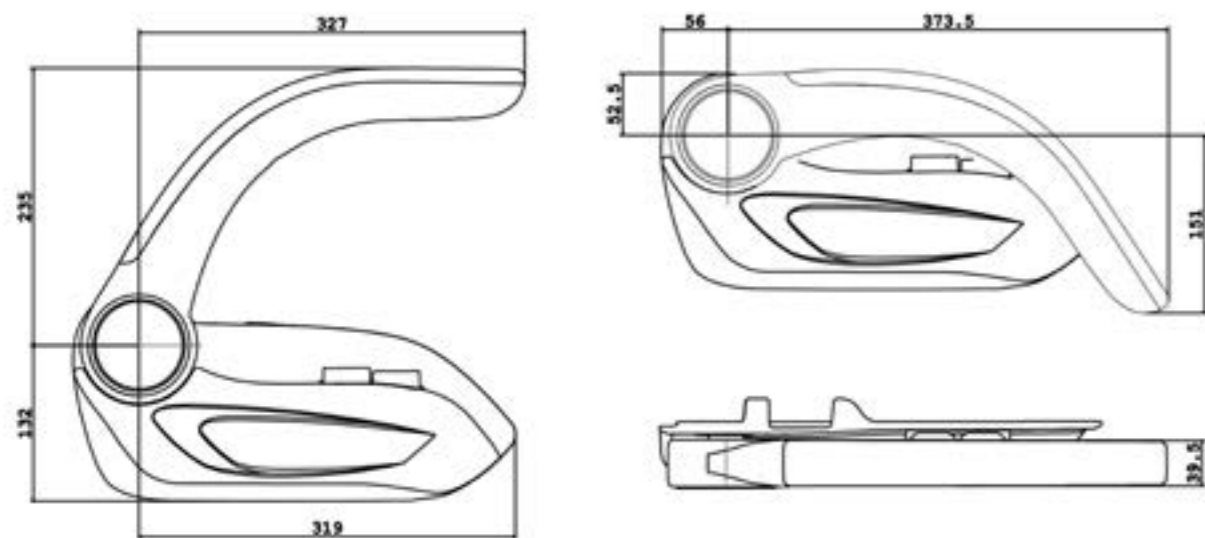
Standart Colors



Options

- The parts can be produced according to ECE R118, EN 45545 or FMSS 302
- The parts can be produced according to defined color options

Dimensions



Color Options



Armrests



Part Code : E921
 Part Definition : Alesta & Nexus Armrest
 Material : Reinforced Plastic

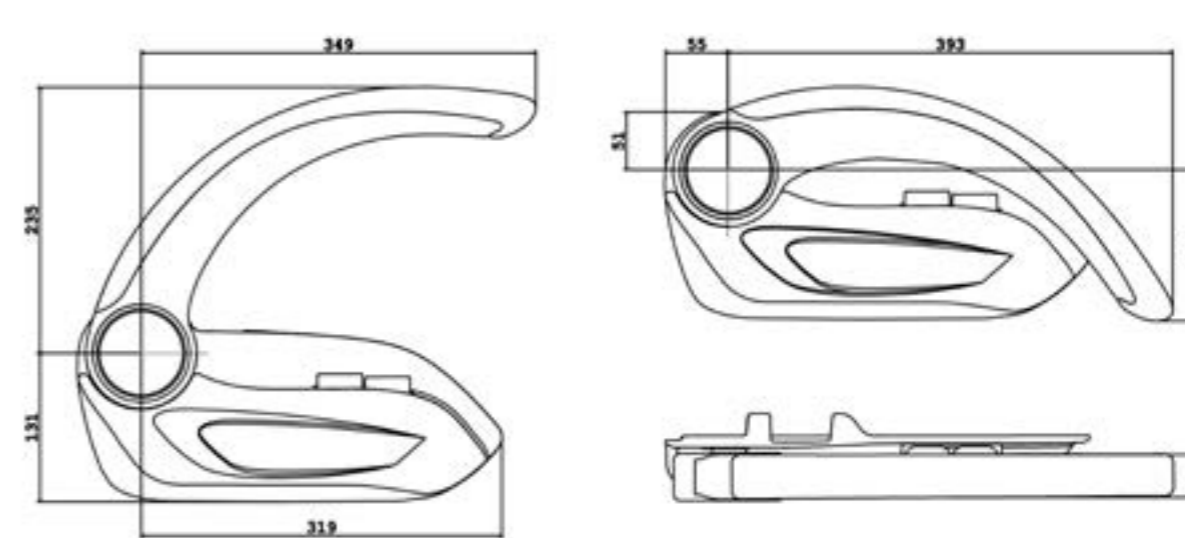
Standart Colors



Options

- The parts can be produced according to ECE R118, EN 45545 or FMSS 302
- The parts can be produced according to defined color options

Dimensions



Color Options

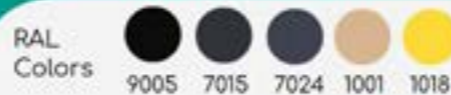


Armrests



Part Code : E922
 Part Definition : Ozy & Hybrid Armrest
 Material : Reinforced Plastic

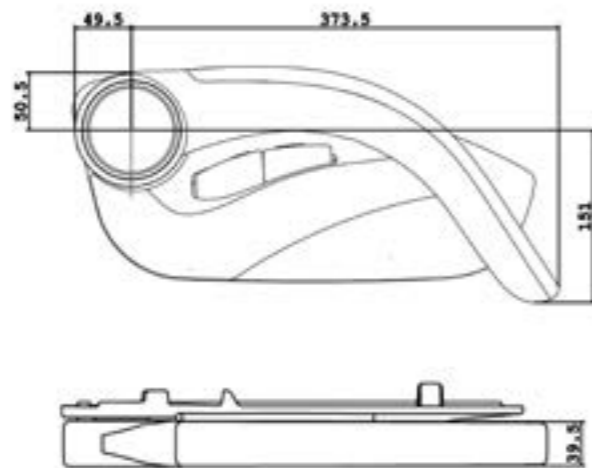
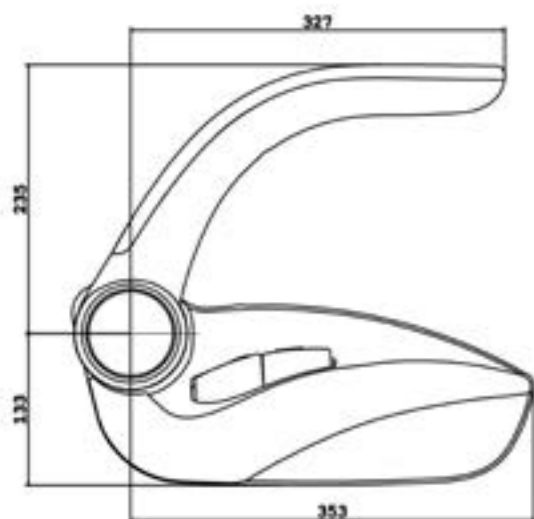
Standart Colors



Options

- The parts can be produced according to ECE R118, EN 45545 or FMSS 302
- The parts can be produced according to defined color options

Dimensions



Color Options

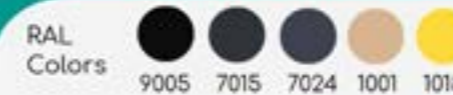


Armrests



Part Code : E923
 Part Definition : Ozy & Nexus Armrest
 Material : Reinforced Plastic

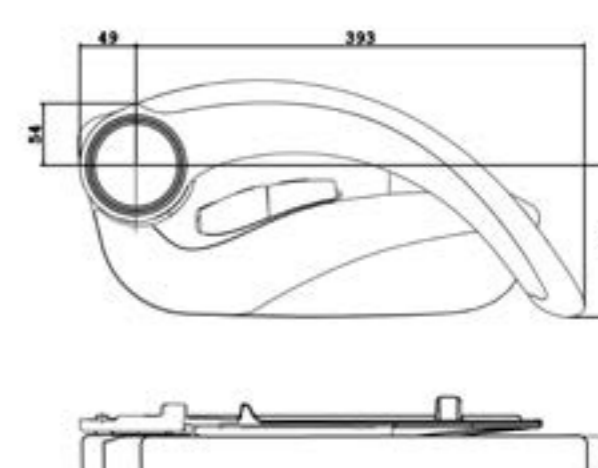
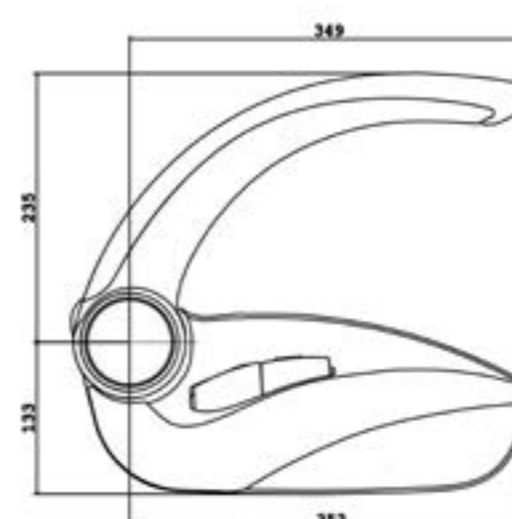
Standart Colors



Options

- The parts can be produced according to ECE R118, EN 45545 or FMSS 302
- The parts can be produced according to defined color options

Dimensions



Color Options



Armrests



Part Code : E002
 Part Definition : Hostes Armrest with plastic brakcet
 Material : Reinforced Plastic

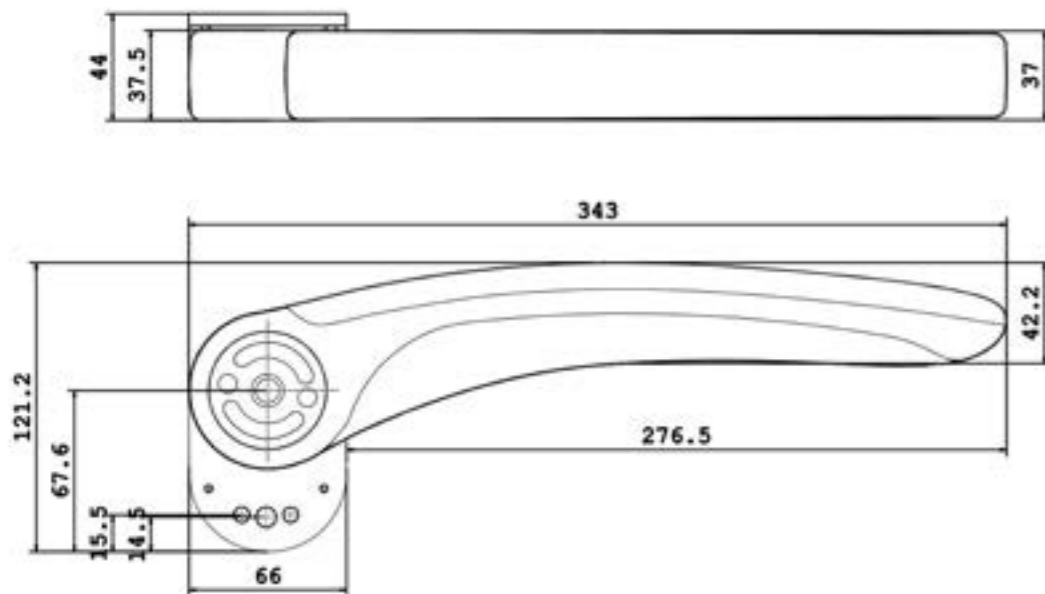
Standart Colors



Options

- The parts can be produced according to ECE R118, EN 45545 or FMSS 302
- The parts can be produced according to defined color options

Dimensions



Color Options



Armrests



Part Code : E202
 Part Definition : Hostes Armrest
 Material : Reinforced Plastic

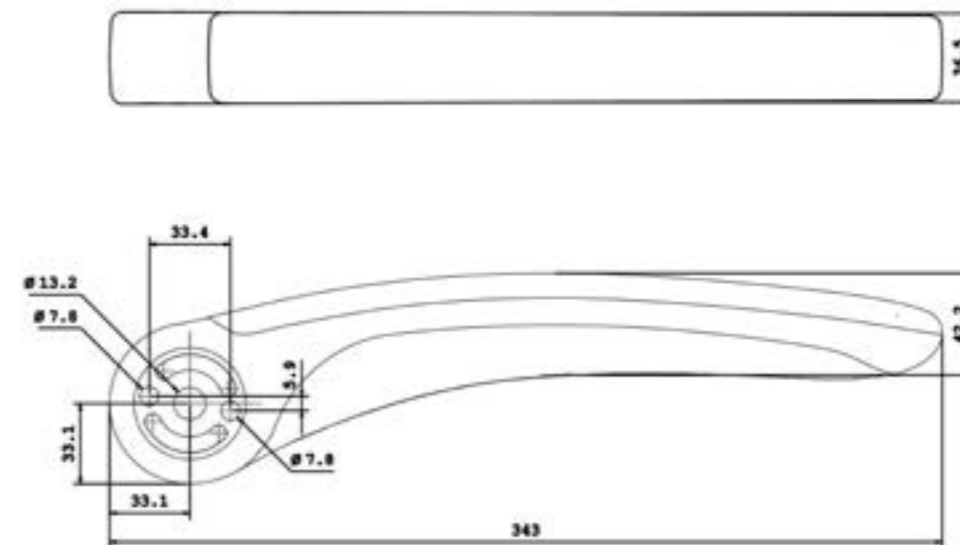
Standart Colors



Options

- The parts can be produced according to ECE R118, EN 45545 or FMSS 302
- The parts can be produced according to defined color options

Dimensions



Color Options

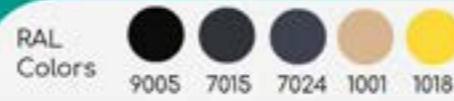


Armrests



Part Code : E015
 Part Definition : New Hostes Armrest cut in the middle
 Material : Reinforced Plastic

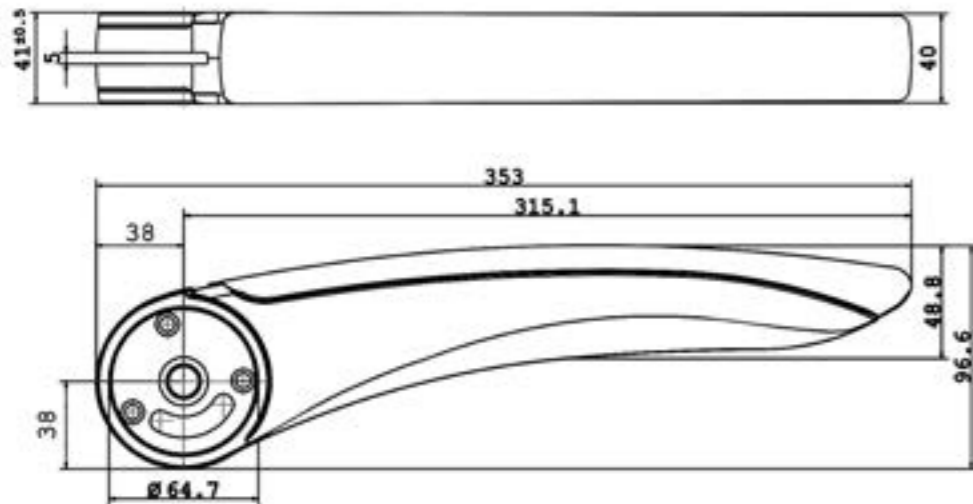
Standart Colors



Options

- The parts can be produced according to ECE R118, EN 45545 or FMSS 302
- The parts can be produced according to defined color options

Dimensions



Color Options



Armrests



Part Code : E215
 Part Definition : New Hostes Armrest with spring
 Material : Reinforced Plastic

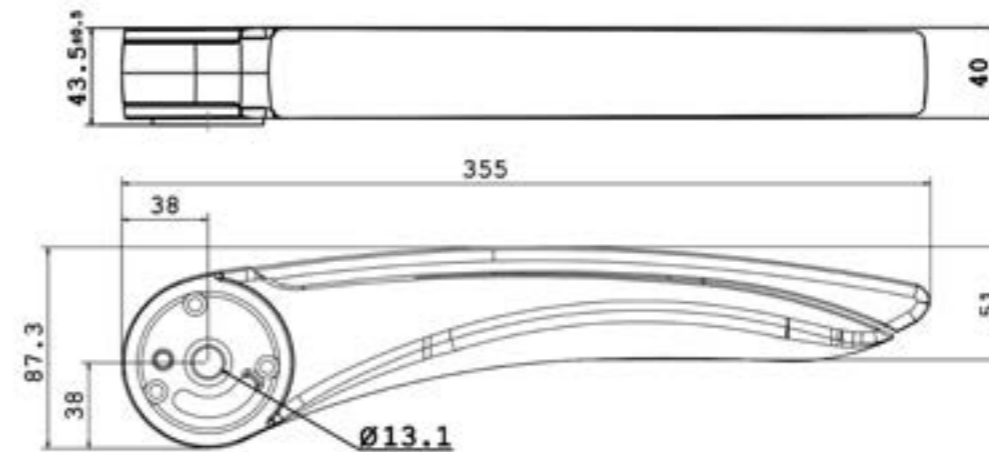
Standart Colors



Options

- The parts can be produced according to ECE R118, EN 45545 or FMSS 302
- The parts can be produced according to defined color options

Dimensions



Color Options

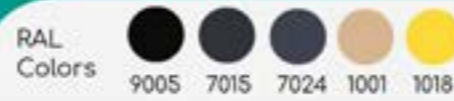


Armrests



Part Code : E023
 Part Definition : New Hostes Armrest with metal bracket
 Material : Reinforced Plastic

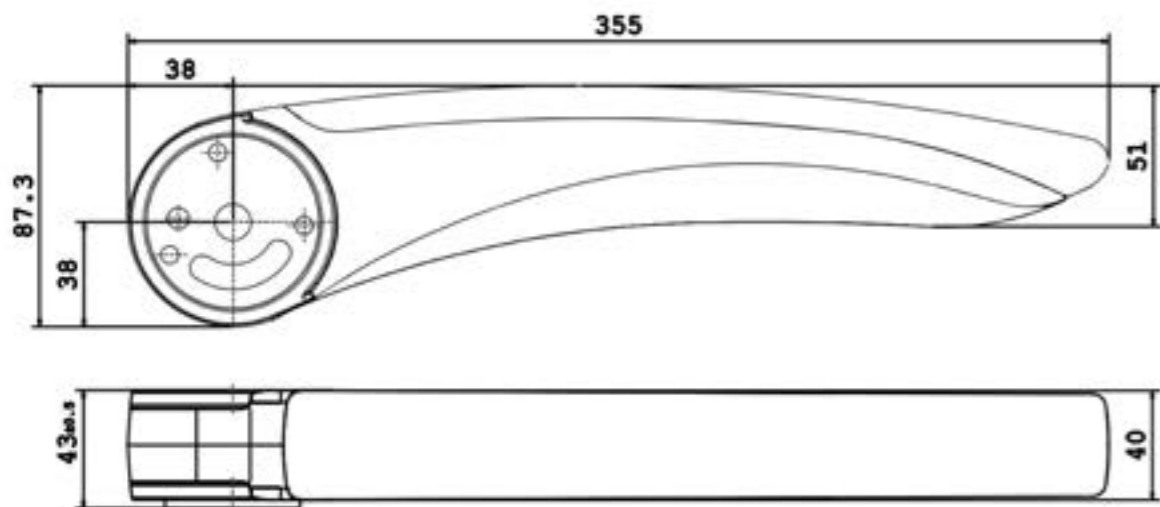
Standart Colors



Options

- The parts can be produced according to ECE R118, EN 45545 or FMSS 302
- The parts can be produced according to defined color options

Dimensions



Color Options



Armrests



Part Code : E214
 Part Definition : New Hostes
 Material : Reinforced Plastic

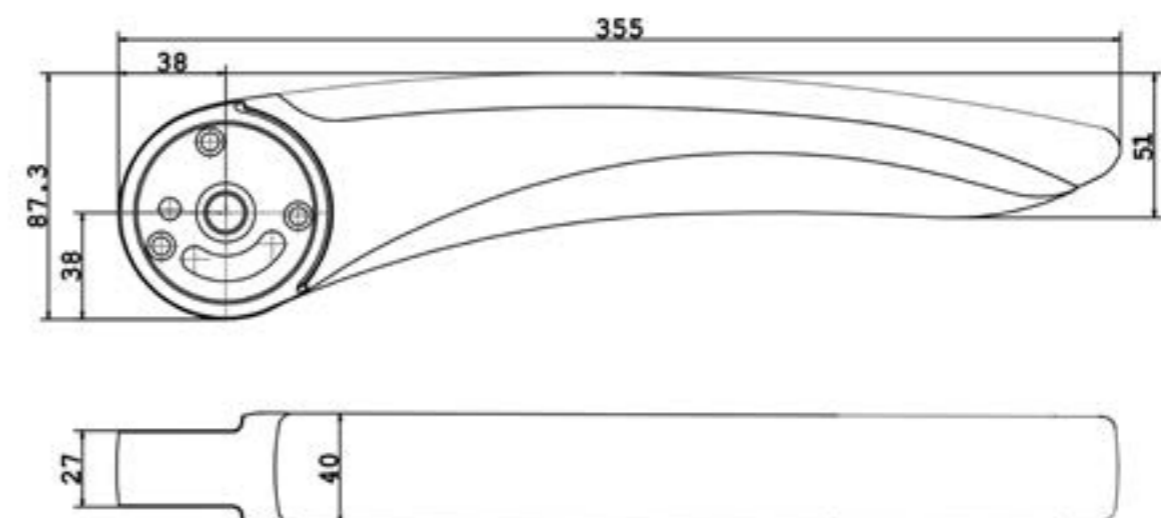
Standart Colors



Options

- The parts can be produced according to ECE R118, EN 45545 or FMSS 302
- The parts can be produced according to defined color options

Dimensions



Color Options



Armrests



Part Code : E013
 Part Definition : ETK Armrest
 Material : Reinforced Plastic

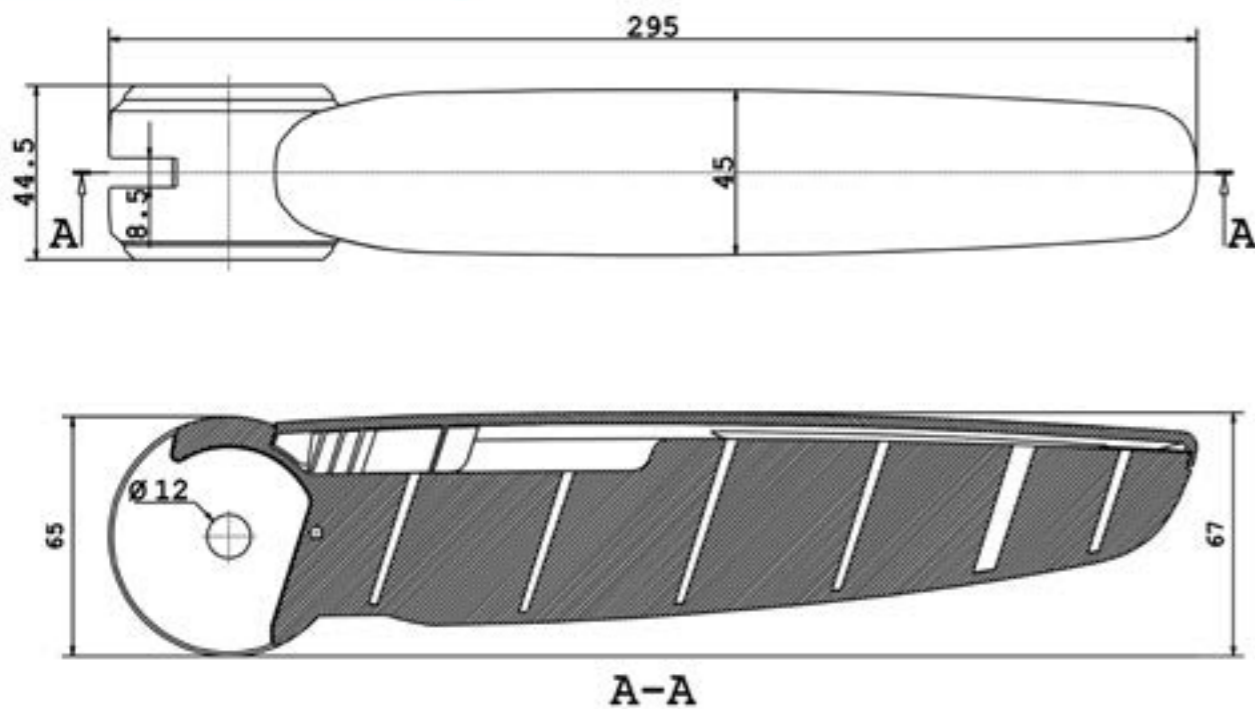
Standart Colors



Options

- The parts can be produced according to ECE R118, EN 45545 or FMSS 302
- The parts can be produced according to defined color options

Dimensions



Armrests



Part Code : E211
 Part Definition : ARM Armrest
 Material : Reinforced Plastic

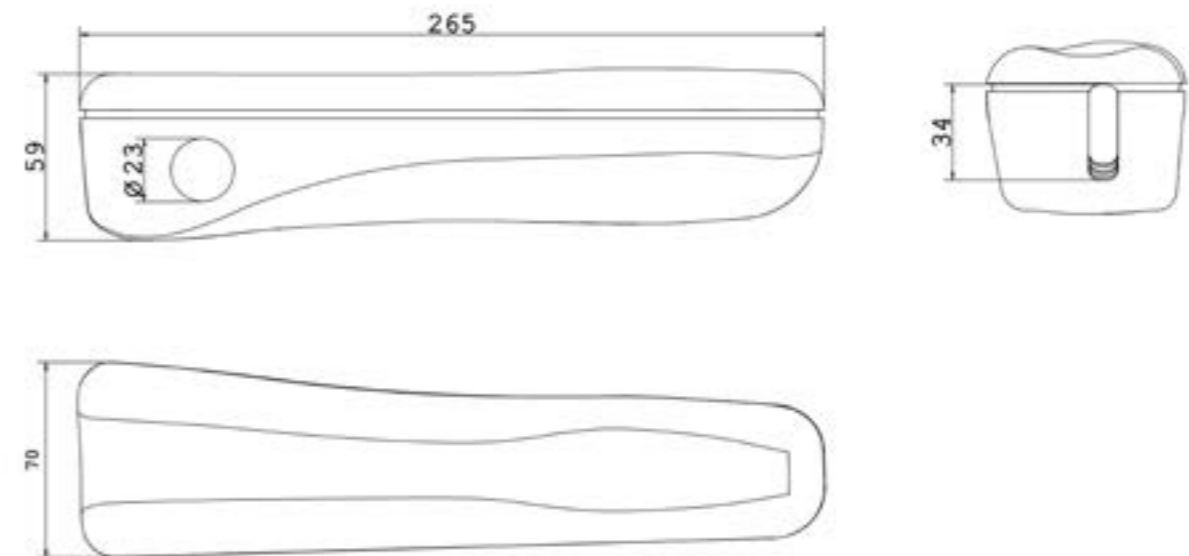
Standart Colors



Options

- The parts can be produced according to ECE R118, EN 45545 or FMSS 302
- The parts can be produced according to defined color options

Dimensions



Color Options



Color Options

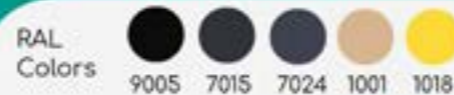


Armrests



Part Code : E020
 Part Definition : Duck Armrest
 Material : Reinforced Plastic

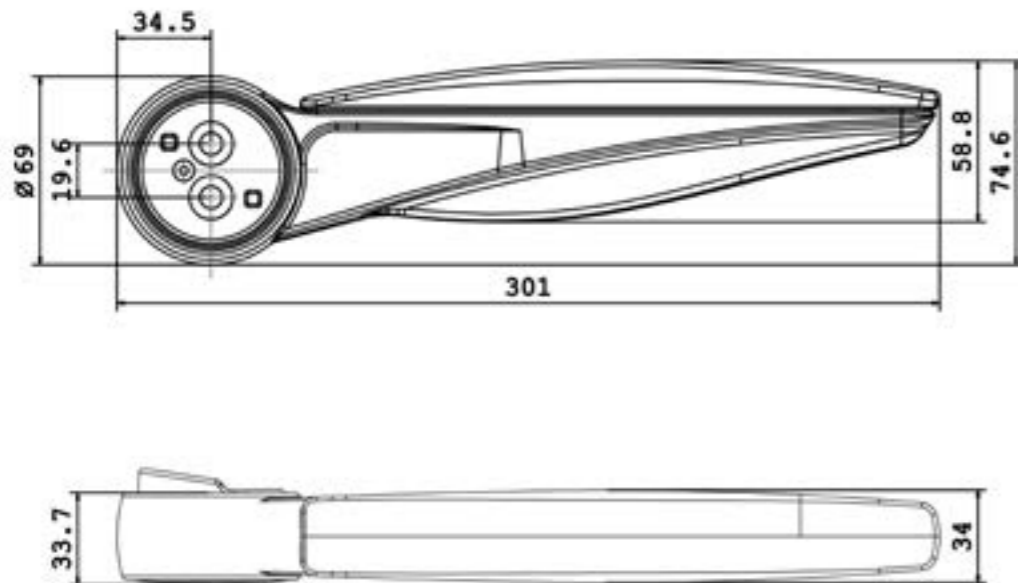
Standart Colors



Options

- The parts can be produced according to ECE R118, EN 45545 or FMSS 302
- The parts can be produced according to defined color options

Dimensions



Color Options



Armrests



Part Code : 1145
 Part Definition : Side Cover
 Material : Reinforced Plastic

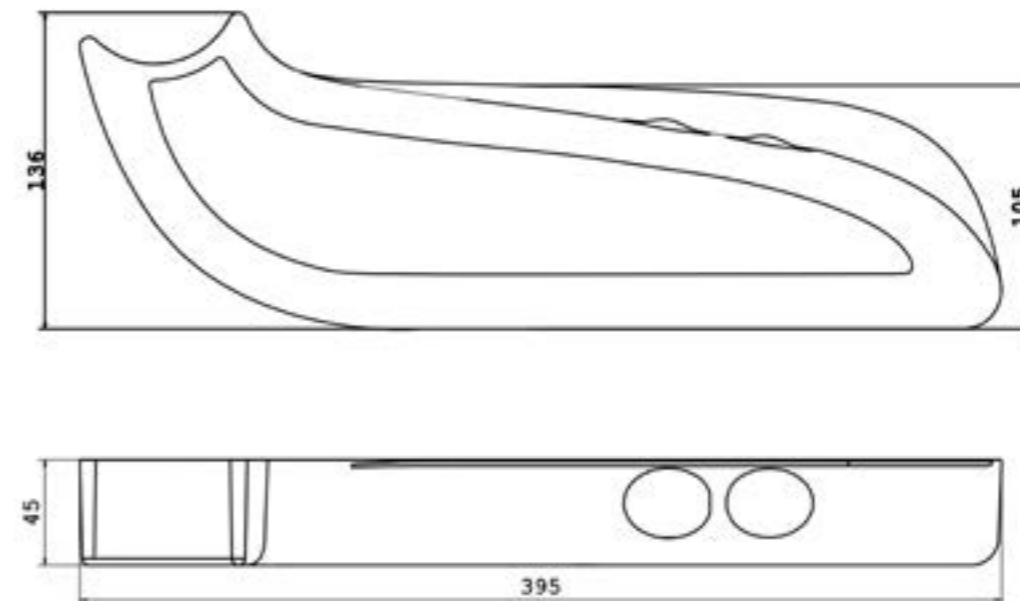
Standart Colors



Options

- The parts can be produced according to ECE R118, EN 45545 or FMSS 302
- The parts can be produced according to defined color options

Dimensions



Color Options





Scan to
Discover



etka-d
mould & plastic



Niüfer Organize Sanayi Bölgesi
N.118 Sokak. No:10
Niüfer/BURSA/TÜRKIYE



Phone: +90(224)411 15 50
Fax : +90(224)411 15 54



E-Mail: etka@etkootomotiv.com



www.etkootomotiv.com



IATF 16949



AS 9100